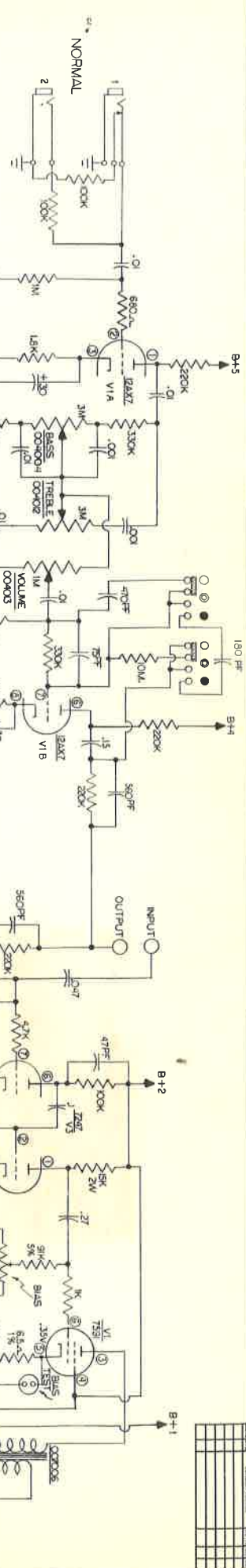
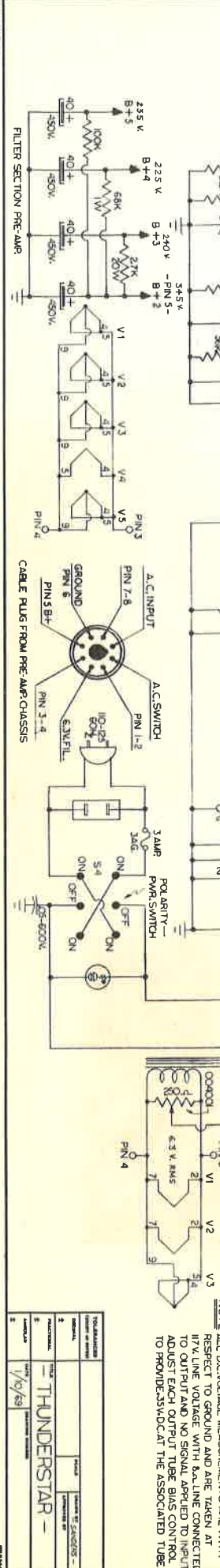
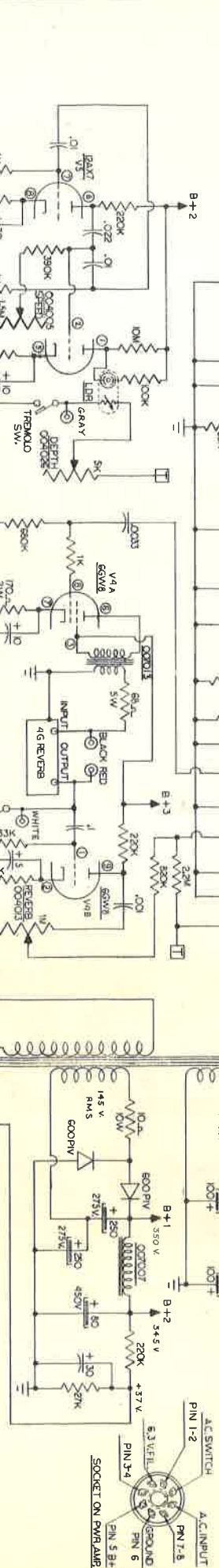
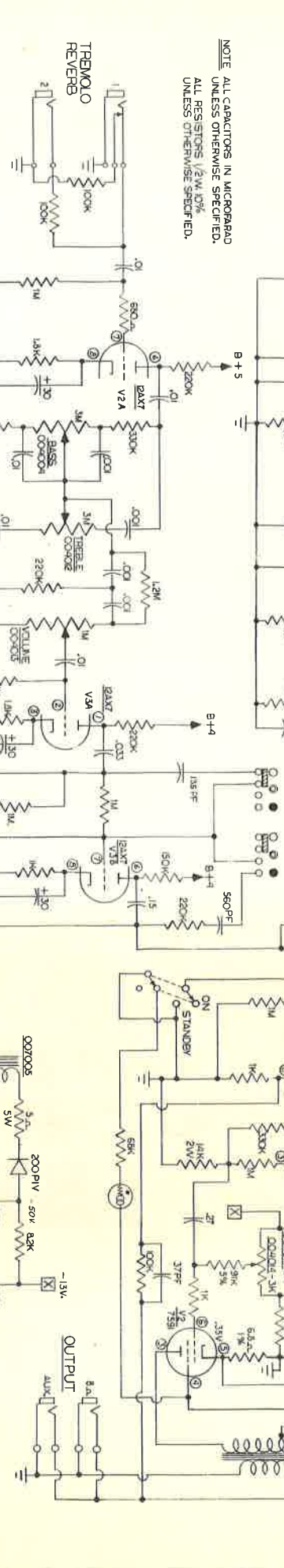


Model	THUNDERSTAR
Part No.	1/10/69
Rev.	
DATE	
BY	
CHECKED	
APPROVED	



NOTE ALL CAPACITORS IN MICROFARADS  
UNLESS OTHERWISE SPECIFIED.  
ALL RESISTORS 1/2W 10%  
UNLESS OTHERWISE SPECIFIED.



NOTE ALL D.C. VOLTAGE MEASUREMENTS ARE WITH  
RESPECT TO GROUND AND ARE TAKEN AT  
IF/1V LINE VOLTAGE WITH 6.3V LINE CONNECTED  
TO OUTPUT AND NO SIGNAL APPLIED TO INPUT.  
ADJUST EACH OUTPUT TUBE BIAS CONTROL  
TO PROVIDE 35VDC AT THE ASSOCIATED TUBE.

Model	THUNDERSTAR
Part No.	1/10/69
Rev.	
DATE	
BY	
CHECKED	
APPROVED	